

Input files, forcing data

LMDZ tutorial
December 2020
Lionel GUEZ

Contents

- Introduction
- LMDZ requirements
 - Run-time parameters
 - Initial state and boundary conditions
 - Forcing data
- Resources for input files

Introduction (1/2)

- This presentation: a few explanations, many pointers to web sites (please download this file so you can click on the links) and to paths on French super-computers.
- A large part of this presentation is a bird's eye inventory of input files for LMDZ.

Introduction (2/2)

- A lot of this, you do not have to know if you use `libIGCM`, because choosing and getting the necessary files will be automated.
 - Note: there are regular training sessions for `libIGCM`.
- The information here may be useful if you have non-standard needs.
- There are many ways to use LMDZ...

Coupling with another model (1/2)

- Soil, vegetation, hydrology: [Orchidée](#)
- Ocean, sea ice, marine biogeochemistry: [Nemo](#)
- Tropospheric chemistry, aerosols: [INCA](#)
- Stratospheric chemistry: [Reprobus](#)
[Marchand et al., JASTP, 2012](#)

Coupling with another model (2/2)

- The sets of input files and input parameters vary with the set of models you couple.

Configurations of LMDZ itself

- 1 or 3 dimensions.
- Nudging or not.
- Realistic or idealized "physical" part of the model.
- The sets of input files and input parameters vary with the above choices.

LMDZ with realistic physics and surface

- LMDZ alone
- 3 dimensions
- no nudging
- realistic (terrestrial) physics and surface (well, more or less: the continents and relief are there, but no Orchidee)

What is left to choose

- Many possible run-time parameters (for dynamics, physical parameterizations, concentration of greenhouse gases, choice of output)
- Initial state
- Boundary (that is, surface) conditions
- Forcing atmospheric data: ozone field, fields of aerosols

Run-time parameters in .def files

- Chosen in text files which have suffix .def
- Semantic separation of run-time parameters among six .def files (for LMDZ alone, without Orchidee)

INCLUDEDEF lines

- `run.def` is the first file read.
- Other `.def` files (except `traceur.def`) are read only if there is a corresponding `INCLUDEDEF` line in `run.def`. Cf. distributed `run.def`.

Syntax of `.def` files

(for all `.def` files except `traceur.def`)

- `variable=value`
- Case sensitive
- TRUE or FALSE for logical values
(you can also use `y` or `n`)
- Character values without quotes
- Comment lines start with `#`

The content of `.def` files (1/3)

- `gcm.def`: dynamics
- `physiq.def`: parameterizations
- `vert.def`: vertical discretization
- `config.def`: coupling with other models, forcing data (ozone, aerosols, greenhouse gases CO_2 , CH_4 , N_2O , CFC11, CFC12)

The content of `.def` files (2/3)

- `run.def`: length of the run, dates, calendar
 - Starting date of the first run in a sequence of runs: `dayref` (day number in the year) and `anneeref` (year). You do not change these when you continue a simulation, starting from the end of a previous simulation.
 - Calendar: `calend` (character variable). (See below when we talk about program `ce0l`.)

The content of `.def` files (4/4)

- `traceur.def`: tracers
 - Special syntax
 - First line: number of tracers
 - Then one line per tracer, with a number identifying the advection scheme
 - For more information on available advection schemes: `dyn3d_common/infotrac.F90`
 - See [presentation on dynamics](#) by E. Millour.

List of all used parameters (1/3)

- Parameters have default values in the Fortran source files.
- → The `.def` files that are commonly used do not mention all the parameters.

List of all used parameters (2/3)

- Also, be careful: you will not get an error message for a mistyped parameter name in your `.def` files, it will just be ignored.
- So, if you want to see all the parameter values that were used for your run: each run creates a set of files `used_*.def`.

List of all used parameters (3/3)

- Script for easier comparison of two sets of `.def` files

Choice of output

- At run-time
- In text files, in XML format (suffix `.xml`)
- You choose which variables to output, at what frequency, with which operation applied to them (average, maximum...).
- See [presentation on output](#).

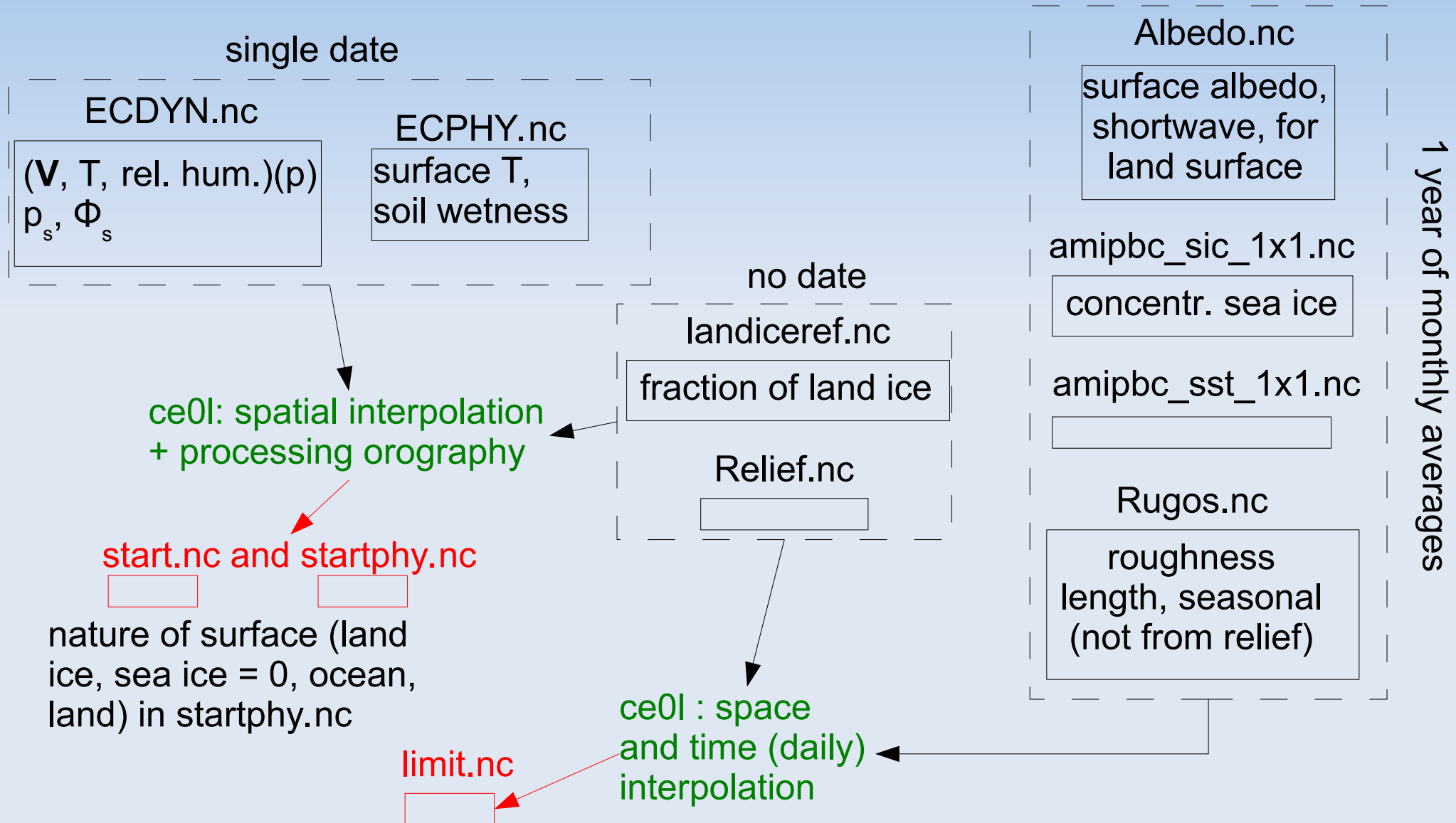
Initial state and boundary conditions (1/3)

- Separate program: ce0l
(ce0l stands for "création état 0 limites")
- Distributed with the program gcm,
compiled with the same tools
- Run ce0l with the same **.def** files than
those you want for gcm.

Initial state and boundary conditions (2/3)

- ce0l creates 2 files for initial state:
`start.nc` for the dynamics part of gcm
`startphy.nc` for the physics part of gcm
- ce0l creates 1 file for 1 year of boundary conditions:
`limit.nc`

Initial state and boundary conditions (3/3)



Calendar (1/2)

- Calendar is used in ce0l to create boundary conditions and interpolate forcing data (ozone)
- For years with constant length, 360 or 365 days:
calend=earth_360d
or
calend=earth_365d

Calendar (2/2)

- For the real calendar (with leap-years), run `ce0l` for each year you want
boundary conditions for:
`calend=gregorian`
`anneeref=<the right year>`

Using data from a coupled ocean-atmosphere run

- It is possible to create a file `limit.nc` using SST, sea-ice fraction and land-sea mask from a coupled NEMO-LMDZ run.
- See [documentation IGCMG](#).

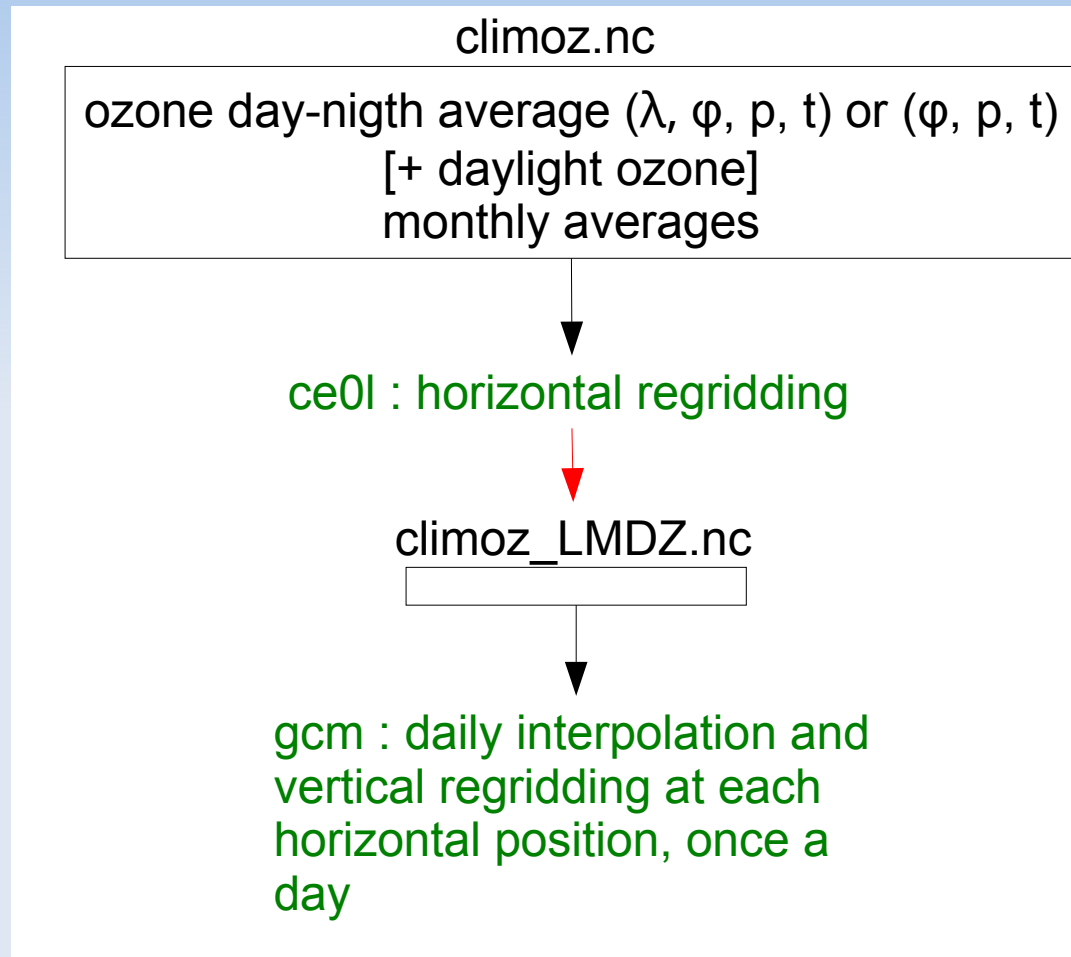
Ozone (1/3)

- Run-time parameter in config.def:
`read_climoz` = - 1, 0, 1 or 2
- 0: analytic expression for the ozone field
(see `phylmd/ozonecm_m.F90`)
- - 1 (use with `solarlong0` = 1000): made symmetric with respect to the equator, for use with annual mean insolation (used for aquaplanet runs)

Ozone (2/3)

- 1: read day-night average of ozone field from a NetCDF file (this is what you want for CMIP 6 input).
- 2: also read daylight average from the same file (good idea with Reprobus CMIP 5 input and if you run LMDZ with a few model layers in the mesosphere).

Ozone (3/3)



Aerosols

Cf. presentation by Olivier BOUCHER

Solar forcing (1/3)

- Recommended settings:
 - Compile with option `-rrtm true`
 - `iflag_rrtm = 1` in `physiq.def`
Means we use RRTM and not the old radiative transfer code.
 - `nsw = 6` in `config.def`
Number of spectral bands in shortwave domain.

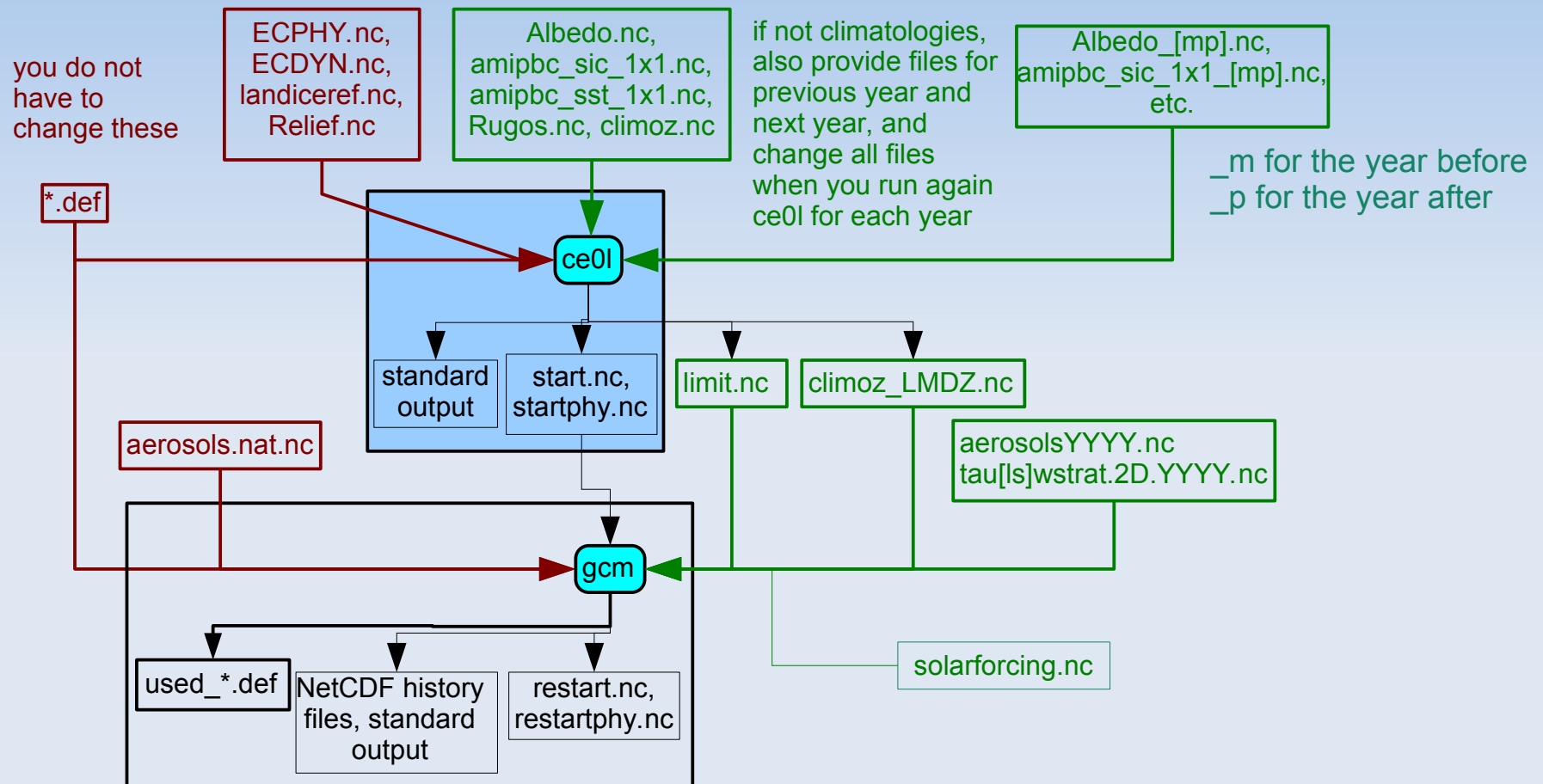
Solar forcing (2/3)

- `ok_suntime_rrtm = y` in `config.def`
Means we read from a NetCDF file solar irradiance at top of atmosphere as a function of day of the year and spectral band. Then `gcm` needs `solarforcing.nc`, containing variables `tsi`, which is the solar constant, and `ssi_frac`, which is the fraction in each of the nsw bands, daily, for 1 year (with the right number of days).

Solar forcing (3/3)

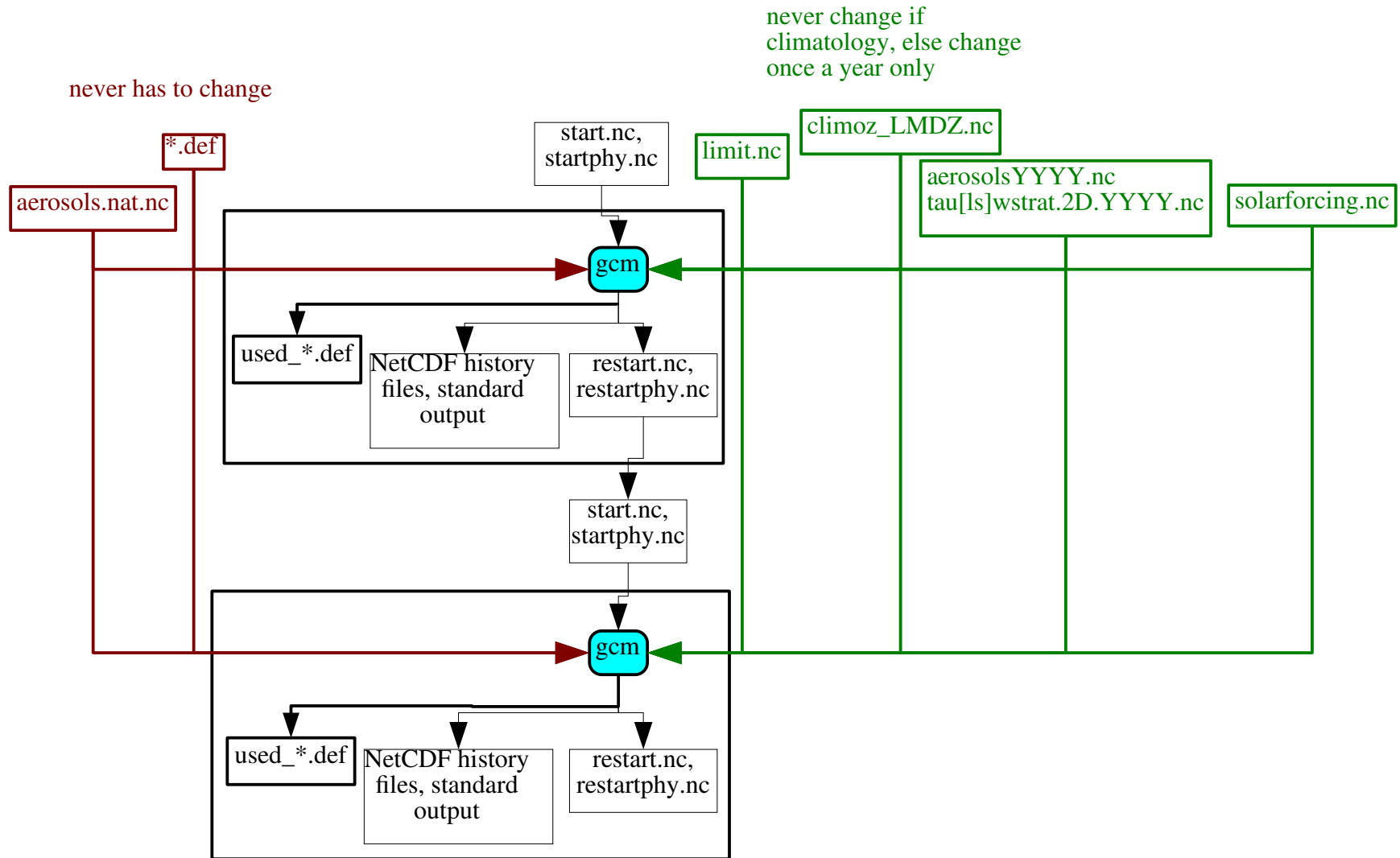
- Note: these are not the default settings (for the sake of backward compatibility) so make sure they appear in your `.def` files.

Putting it all together



See also [Tutorial I. Installing the LMDZ model](#), page 13 for an alternate view.

Chaining runs



Restarting from an arbitrary date (1/2)

- Normally, `gcm` reads the initial date of the run from the file `start.nc`.
- You can set `raz_date = 1` in `run.def`. Then `gcm` uses `dayref` and `anneeref` in `run.def` for the initial date.

Restarting from an arbitrary date (2/2)

- This way, you can start `gcm` at any date from any `restart.nc` and `restartphy.nc`. But watch out for the initial shock if there is a large seasonal difference between the original date of the restart files and the reset date. The shock will come from the discrepancy between the state of the atmosphere and the boundary conditions and declination of the Sun.

Where do you get the input files ?

Run-time parameters (1/2)

Template `.def` files are distributed with LMDZ source files

- Directory `DefLists`
- `physiq.def_AR4`: physics used for AR4 (old physics)
- `physiq.def_NPv3.2`: new physics of CMIP5
- `physiq.def_Npv6.1`: physics of CMIP6

Run-time parameters (2/2)

- More details on the history of LMDZ physical parameterizations in the presentation
LMDZ configurations: uses and tuning

NetCDF input files (1/4)

- NetCDF files required by ce01, as well as forcing data (ozone, aerosols, solar) used for CMIP5 and CMIP6, are duplicated on machines at the national supercomputing centers [IDRIS](#) and [TGCC](#), and at the [IPSL computing center](#). So you need to find access to them.

NetCDF input files (2/4)

- The root of the arborescence containing all the input files is called **R_IN** in the following pages.

NetCDF input files (3/4)

- `R_IN=`
 - `/gpfswork/rech/psl/commun/IGCM` at IDRIS
 - `/ccc/work/cont003/igcmg/igcmg/IGCM` at TGCC
 - `/projsu/igcmg/IGCM` on Ciclad/Climserv (IPSL machines)
- See also: [Repository for shared files.](#)

NetCDF input files (4/4)

- Some of the files are also on web servers:
 - LMDZ account page at LMD
 - IPSL THREDDS server

Initial state and boundary conditions (1/2)

- In subdirectory:
`$R_IN/ATM/LIMIT/AMIP.v20191121/original/
360x180/BC`
you will find sea ice and SST from 1870 to 2018, from `input4MIPS` (variables `siconcbcs` and `tosbcs`)

Initial state and boundary conditions (2/2)

- In subdirectory:

`$R_IN/ATM`

you will find:

- landiceref.nc, Relief.nc, Albedo.nc, Rugos.nc
- ECDYN.nc and ECPHY.nc for a single date.
If you need another date, see:
[Création d'un fichier ECDYN](#) (from ERA interim)

Forcing data for CMIP 5

A lot of data, for pre-industrial, historical or future simulations (with different scenarios).

Forcing data for CMIP 5: ozone

- `$R_IN/ATM/OZONE/HYBRIDE/original/v2.$scenario/tro3_${year}.new.nc`
(see definition of `R_IN`)
- For the scenarios:
 - clim: historical then RCP 8.5
 - RCP26, RCP45, RCP60
- Information on ozone files

Forcing data for CMIP 5: aerosols (1/2)

- `$R_IN/ATM/LMD$resolution/AR5/$scenario/aerosols_11YearsClim_${year}_v5.nc`
- For the resolutions:
 - 128 × 118
 - 128 × 88
 - 144 × 142
 - 280 × 280
 - 96 × 95

Forcing data for CMIP 5: aerosols (2/2)

- And for the scenarios:
HISTORIQUE, RCP26, RCP45, RCP60,
RCP85, esm2_experiment
- Each file contains all aerosol types.
- 1855 for aerosols.nat.nc
- **Informations** on runs of LMDZ-Orchidée-Inca which produced aerosol files

Forcing data for CMIP6

Information on greenhouse gases, tropospheric aerosols, solar irradiation, ozone, stratospheric aerosols and land use.

Forcing data for CMIP 6: ozone

- Ozone input files for ce0l:
`$R_IN/ATM/OZONE/UReading/
historical.v20160711.v2/original`
(see definition of `R_IN`)
- Origin: input4MIPs, variable `vmro3`
- Information on the
processing of ozone files at IPSL

Forcing data for CMIP 6: aerosols

- Aerosol input files from INCA:
`$R_IN/ATM/AEROSOLS/CMIP6/v1/$resolution/
L79`
- Stratospheric aerosols:
`$R_IN/ATM/STRATAERO/CMIP6/v3`
- Information on the
processing of aerosol emission at IPSL
and the runs producing aerosol forcing.

Forcing data for CMIP 6: solar

- `$R_IN/ATM/SOLAR/CMIP6/v3.1corr`
- Information on input files